



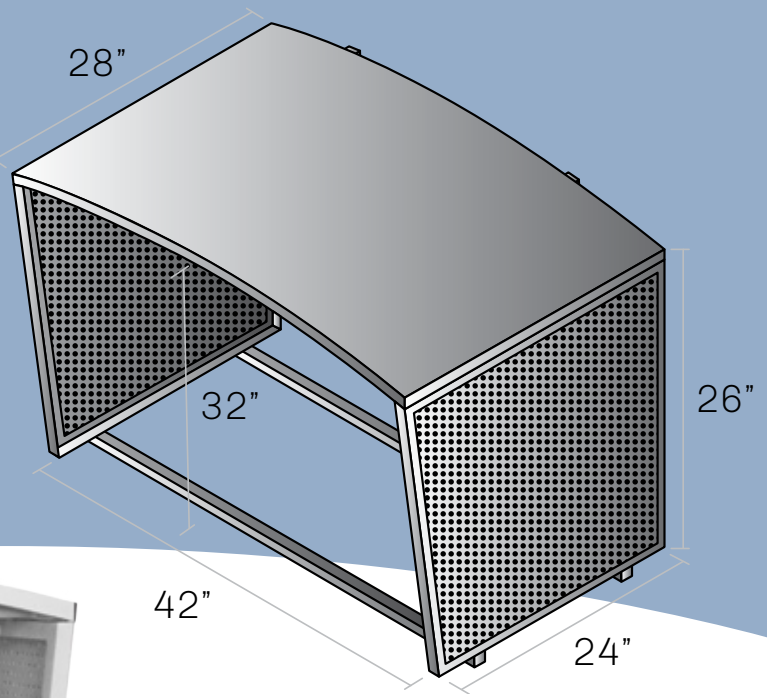
# ALUBASE

MINI-SPLIT SHELTER

# SKU: MSWC1

## PACKAGED INDIVIDUALLY

Folding side panels to facilitate handling and reduce transportation costs.



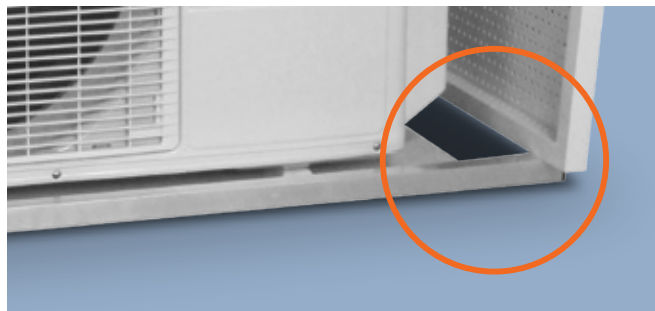
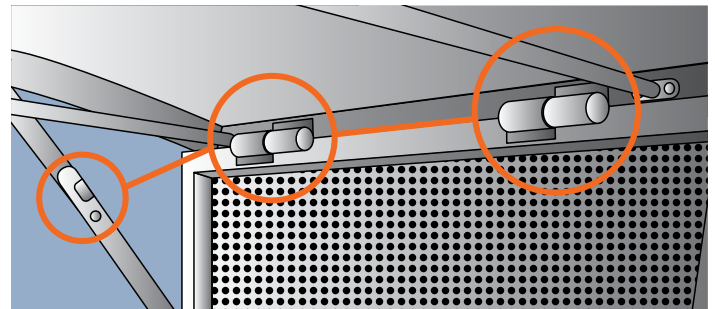
## 100% ALUMINUM POWDER COATED PAINT FINISH

Helps protect the unit from debris and bad weather.

Can be installed on 24" wall mount brackets or any Alubase floor stand.

## SIDE PANELS ON HINGES

Simply unfold side panels and lock them into place.



## COMES WITH INSTRUCTIONS AND ALL THE HARDWARE REQUIRED FOR INSTALLATION.

Also includes 2 aluminum posts to fit shelter on wall brackets or floor stand.

## FAST AND EASY INSTALLATION!